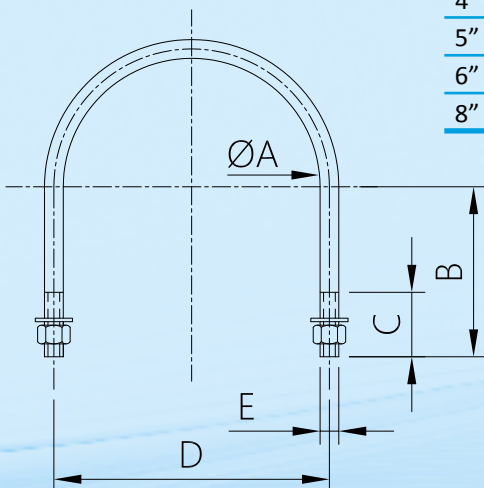


TANK DIAMETER	BRACKET MODEL	BRACKET CODE	A (mm)	B (mm)	H mm	S (mm)	Weight (kg)
5" (Ø 141.3)	Low bracket	SB5	264	150	95	50	2.6
	Medium bracket	SM5	264	150	160	50	3.0
	High bracket	SA5	264	150	180	50	3.1
6" (Ø 168.3)	Low bracket	SB6	292	150	109	50	2.8
	Medium bracket	SM6	292	150	170	50	3.3
	High bracket	SA6	292	150	200	50	3.5
	TL series bracket	S6 - 223	292	150	223	50	3.7
	TL series bracket	S6 - 265	292	150	265	50	4.0
8" (Ø 219.1)	Low bracket	SB8	348	200	134	50	4.6
	Medium bracket	SM8	348	200	210	50	5.0
	High bracket	SA8	348	200	270	50	5.4
	TL series bracket	S8 - 290	348	200	290	50	5.5
10" (Ø 273)	Low bracket	SB10	424	250	161	50	5.6
	High bracket	SA10	424	250	273	50	6.5

For special brackets, please contact our technical department

U-BOLTS



TANK DIAMETER	ØA (mm)	B (mm)	C (mm)	D (mm)	E (mm)
4" (Ø 114.3)	115	87.5	45	124	M10
5" (Ø 141.3)	155	92.5	45	164	M10
6" (Ø 168.3)	175	116.5	45	185	M16
8" (Ø 219.1)	225	141.5	45	235	M16

U-Bolts are available in galvanised steel or stainless steel, on request