

VALVES WITH THREADED CONNECTORS - TF SERIES - Ø 3"



FEATURES

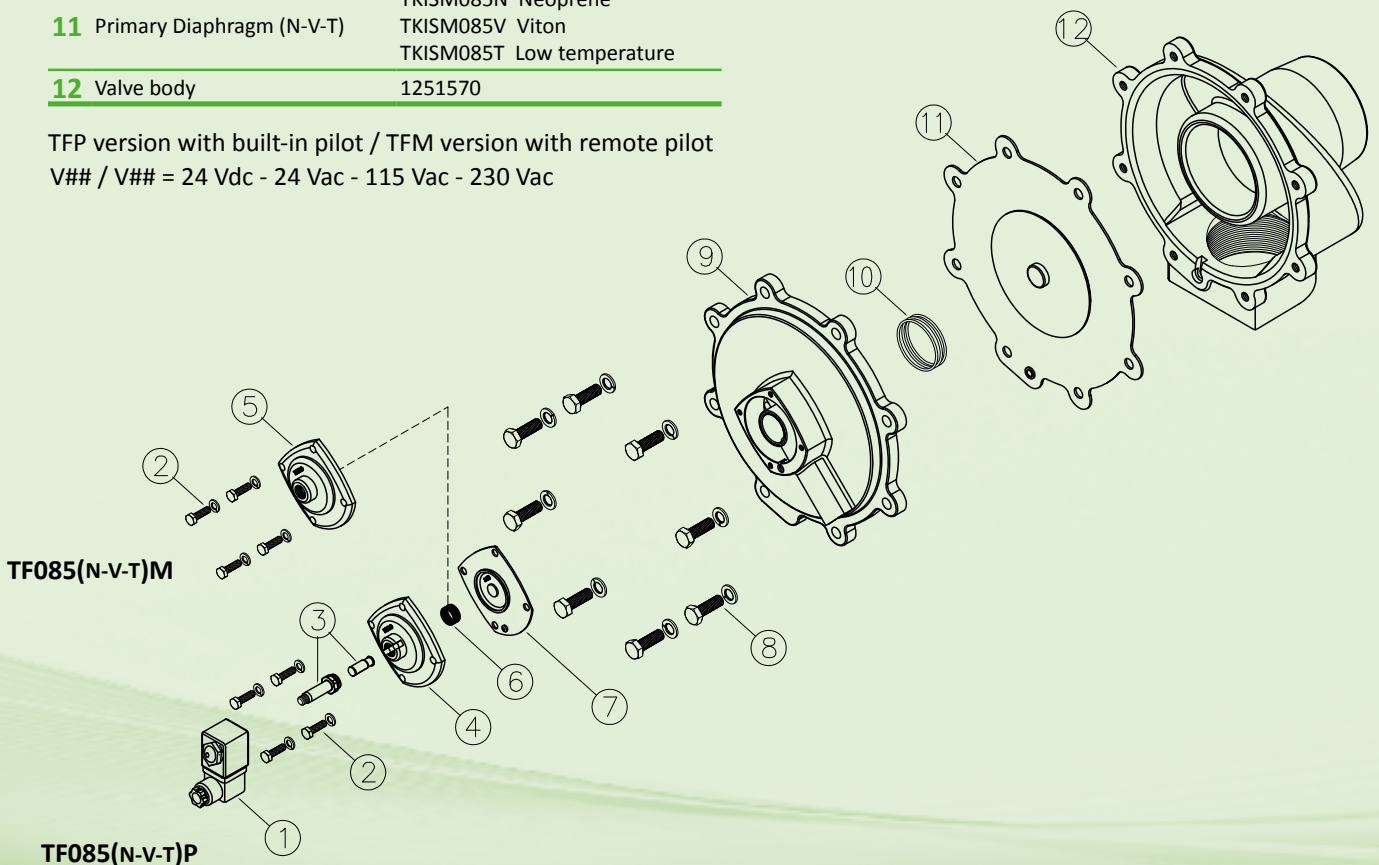
Fluids	Non-lubricated filtered air
Operating temperature	Neoprene diaphragm -20°C +80°C
	Viton diaphragm -20°C +200°C
	Low T. diaphragm -40°C; +80°C
Operating pressure	between 0.5 and 7.5 bar
Body and cover	Die-cast aluminium
Pilot core	Stainless steel
Screws and bolts	Stainless steel
Coil insulation	Class H
Connector	PG 9 EN175301-803
Connector + coil protection	IP65 EN60529
Standard voltage	24V/50-60Hz (±10%) 19VA
	115V/50-60Hz (±10%) 19VA
	230V/50-60Hz (±10%) 19VA
	24VDC (± 10%) 18 Watt

DESCRIPTION

TF085(N-V-T)P / TF085(N-V-T)M

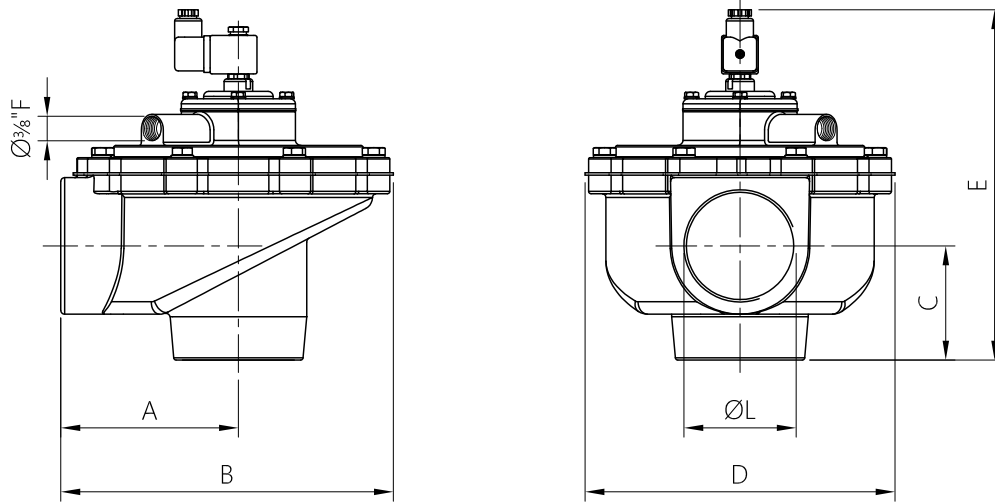
1	Coil - Connector	BH10 V## / V##
2	Screws - Washers	TKITVTE06X20X4
3	Pilot unit	1331080
4	Pilot cover	1251750
5	Remote cover	1251770
6	Secondary diaphragm (N-V-T)	TKISM025N Neoprene TKISM025V Viton TKISM025T Low temperature
7	Diaphragm spring	3241002
8	Screws - Washers	TKITVTE10X30X8
9	Cover	1251680
10	Diaphragm spring	3241024
11	Primary Diaphragm (N-V-T)	TKISM085N Neoprene TKISM085V Viton TKISM085T Low temperature
12	Valve body	1251570

TFP version with built-in pilot / TFM version with remote pilot
 V## / V## = 24 Vdc - 24 Vac - 115 Vac - 230 Vac

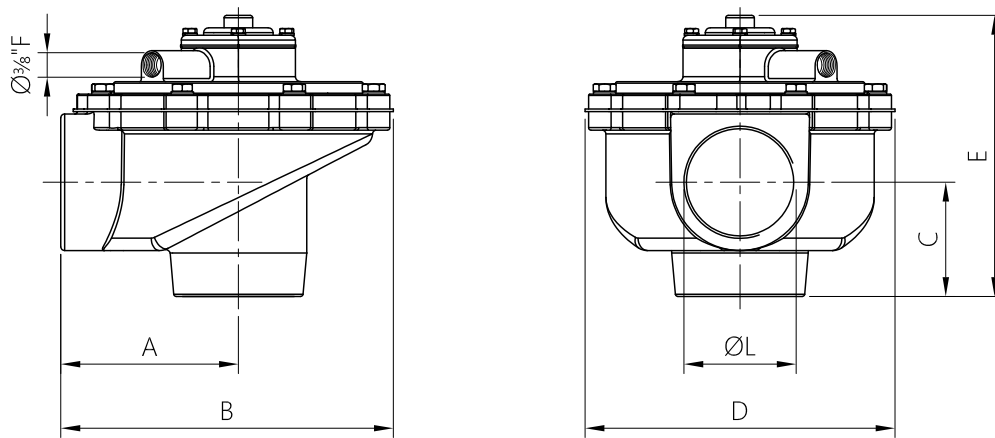


TF SERIES - Ø 3" - OVERALL DIMENSIONS

TF085(N-V-T)P



TF085(N-V-T)M



MODEL	Ø L (nom)	A	B	C	D	E	Weight (kg)
TF085(N-V-T)P	3"	143	267	92	250	~282	7.3
TF085(N-V-T)M	3"	143	267	92	250	~227	7.1