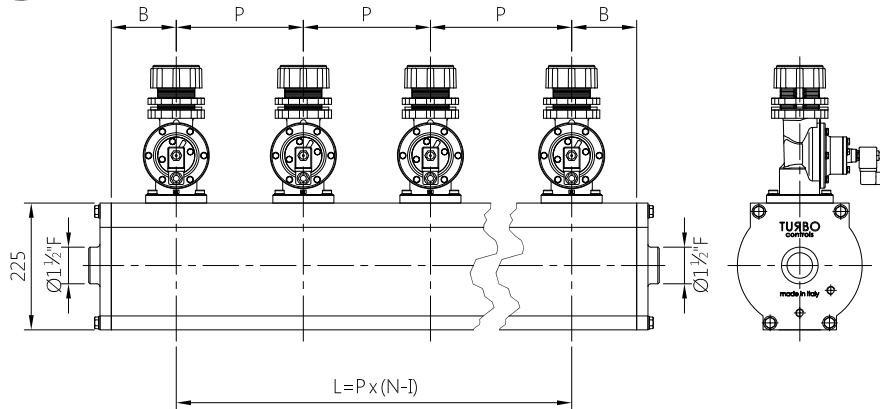


# 8" ALUTANK SERIES WITH 1" 1½ DN VALVES'



## TECHNICAL FEATURES

Tank body  
Extruded anodised aluminium

Ends  
Aluminium

Air cannons  
Galvanised steel

O-Ring  
NBR

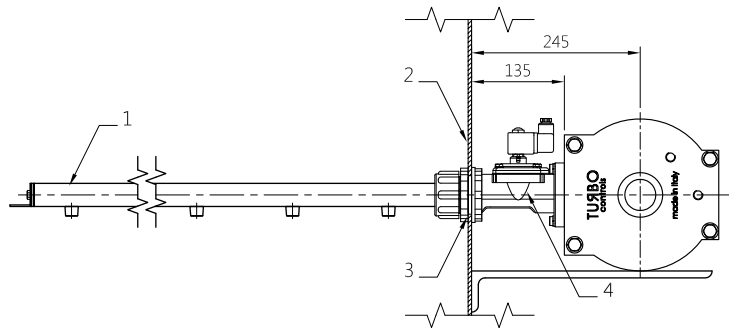
Operating temperature  
-20°C +80°C

Operating pressure  
0.5 ÷ 6 bar - 0.5 ÷ 8 bar

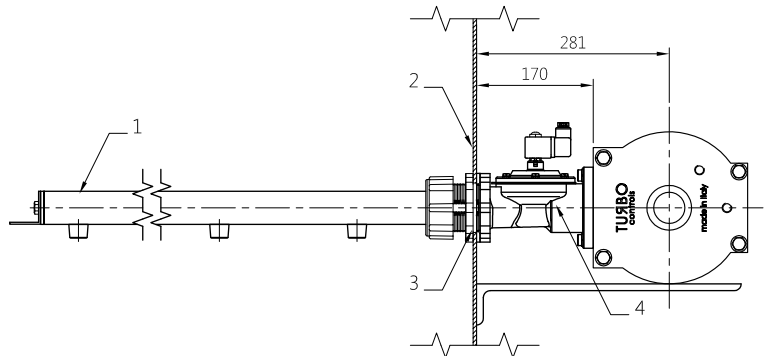
Configuration for low  
temperature - 40°C +80°C

Please contact our technical department for P min and B min values

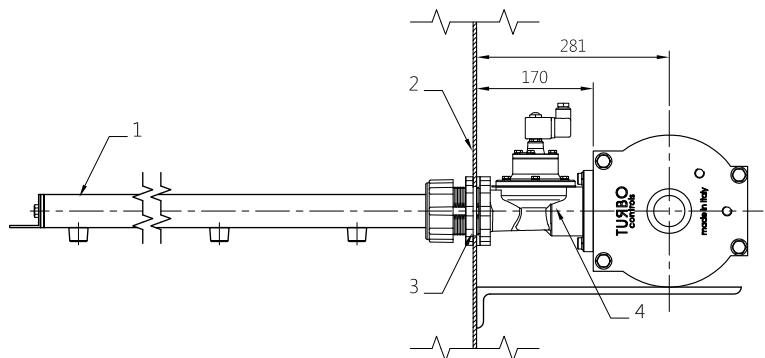
- 1. 1" AIR CANNON
- 2. FILTER WALL
- 3. HOLE ON WALL MIN  $\phi$  56 mm
- 4. 1" STRAIGHT THROUGH VALVE  
EFDM25/EFDP25



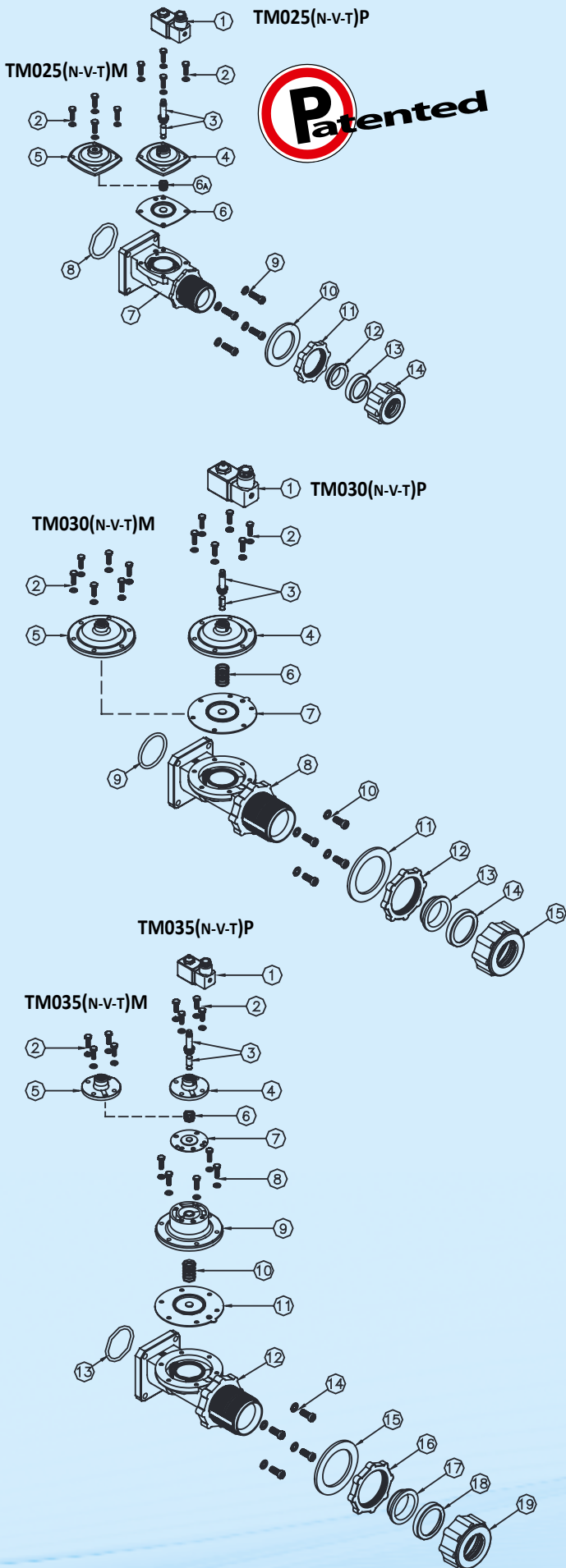
- 1. 1 ½" AIR CANNON
- 2. FILTER WALL
- 3. HOLE ON WALL MIN  $\phi$  72 mm
- 4. 1 ½" STRAIGHT THROUGH VALVE  
EFDM30/EFDP30



- 1. 1 ½" AIR CANNON
- 2. FILTER WALL
- 3. HOLE ON WALL MIN  $\phi$  72 mm
- 4. 1 ½" STRAIGHT THROUGH VALVE  
EFDM35/EFDP35



# 8" ALUTANK SERIES WITH 1" 1½ DN VALVES



DESCRIPTION	TM025(N-V-T)P / TM025(N-V-T)M
1	Coil - Connector BH10 V## / V##
2	Screws - Washers TKITVTE06X20X4
3	Pilot unit 1331080
4	Pilot cover 1251750
5	Remote cover 1251770
6a	Diaphragm spring 3241002
6	Diaphragm (N-V-T) TKISM025N Neoprene TKISM025V Viton TKISM025T Low temperature
7	Valve body 1251180
8	O-R gasket 3301271
9	Screws - Washers TKITVTE08X25X4
10	Seal 3141702
11	Lock nut 3181036
12	Conical seal 3301013
13	Retaining ring 1321010
14	Hose clamp high nut 1281045

DESCRIPTION	TM030(N-V-T)P / TM030(N-V-T)M
1	Coil - Connector BH10 V## / V##
2	Screws - Washers TKITVTE06X20X6
3	Pilot unit 1331080
4	Pilot cover 1251802
5	Remote cover 1251805
6	Diaphragm spring 3241018
7	Diaphragm (N-V-T) TKISM030N Neoprene TKISM030V Viton TKISM030T Low temperature
8	Valve body 1251320
9	O-R gasket 3301281
10	Screws - Washers TKITVTE10X25X4
11	Seal 3141706
12	Lock nut 3181032
13	Conical seal 3301017
14	Retaining ring 1321012
15	Hose clamp high nut 1281050

DESCRIPTION	TM035(N-V-T)P / TM035(N-V-T)M
1	Coil - Connector BH10 V## / V##
2	Screws - Washers TKITVTE06X18X4
3	Pilot unit 1331080
4	Pilot cover 1251720
5	Remote cover 1251740
6	Diaphragm spring 3241006
7	Secondary Diaphragm (N-V-T) TKISM010N Neoprene TKISM010V Viton TKISM010T Low temperature
8	Screws - Washers TKITVTE06X20X6
9	Cover 1251810
10	Diaphragm spring 3241018
11	Primary Diaphragm (N-V-T) TKISM035N Neoprene TKISM035V Viton TKISM035T Low temperature
12	Valve body 1251320
13	O-R gasket 3301281
14	Screws - Washers TKITVTE10X25X4
15	Seal 3141706
16	Lock nut 3181032
17	Conical seal 3301017
18	Retaining ring 1321012
19	Hose clamp high nut 1281050

V## / V## = 24 Vdc  
- 24 Vac - 115 Vac - 230 Vac