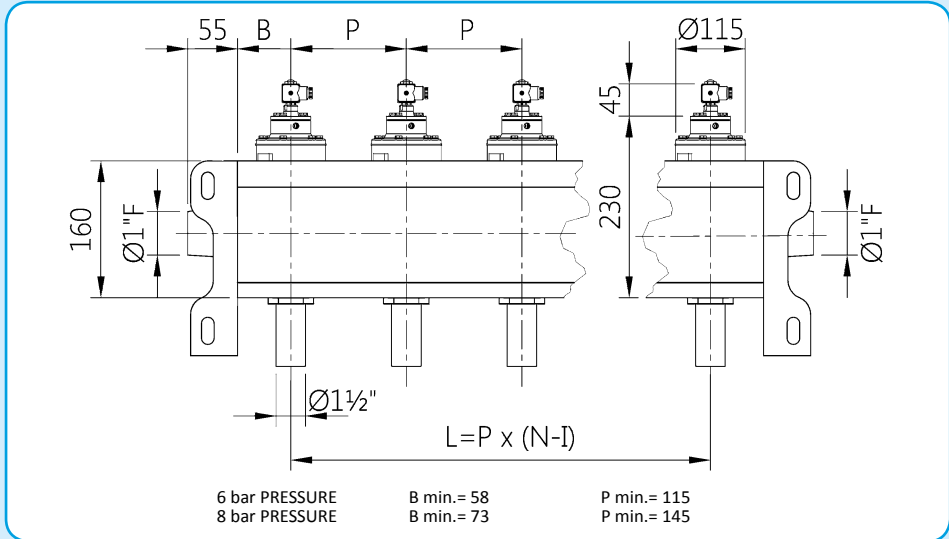


6" ALUTANK SERIES WITH 1½" DN VALVES



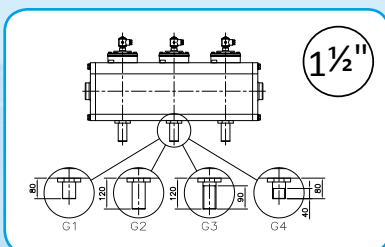
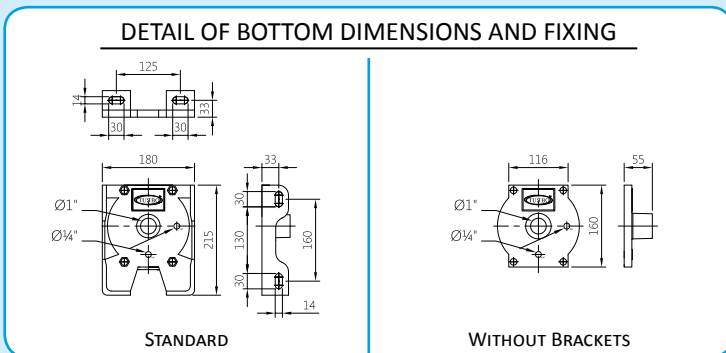
TECHNICAL FEATURES	
Tank body	Extruded anodised aluminium
Ends	Die-cast aluminium
Air cannons	Galvanised steel
O-Ring	NBR
Operating temperature	-20°C +80°C
Operating pressure	0.5 ÷ 6 bar - 0.5 ÷ 8 bar
Low temperature version	-40°C +80°C
(Aluminium air cannons)	

For special versions of P min and B min, please contact our technical department

DESCRIPTION TS035(N-V-T)P / TS035(N-V-T)M

1	Coil - Connector	BH10 V## / V##
2	Screws - Washers	TKITVTE06X18X4
3	Pilot unit	1331080
4	Pilot cover	1251720
5	Remote cover	1251740
6	Diaphragm spring	3241006
7	Secondary diaphragm (N-V-T)	TKISM010N Neoprene TKISM010V Viton TKISM010T Low temperature
8	Screws - Washers	TKITVTE06X20X6
9	Cover	1251810
10	Diaphragm spring	3241018
11	Primary Diaphragm (N-V-T)	TKISM035N Neoprene TKISM035V Viton TKISM035T Low temperature
12	Screws - Washers	TKITVTE08X20X2
13	Valve body	1251370
14	O-R gasket	3301276

V## / V## = 24 Vdc - 24 Vac - 115 Vac - 230 Vac



SHORT PLAIN OUTLET PIPE = G1
LONG PLAIN OUTLET PIPE = G2
LONG THREADED OUTLET PIPE = G3
SHORT THREADED OUTLET PIPE = G4

