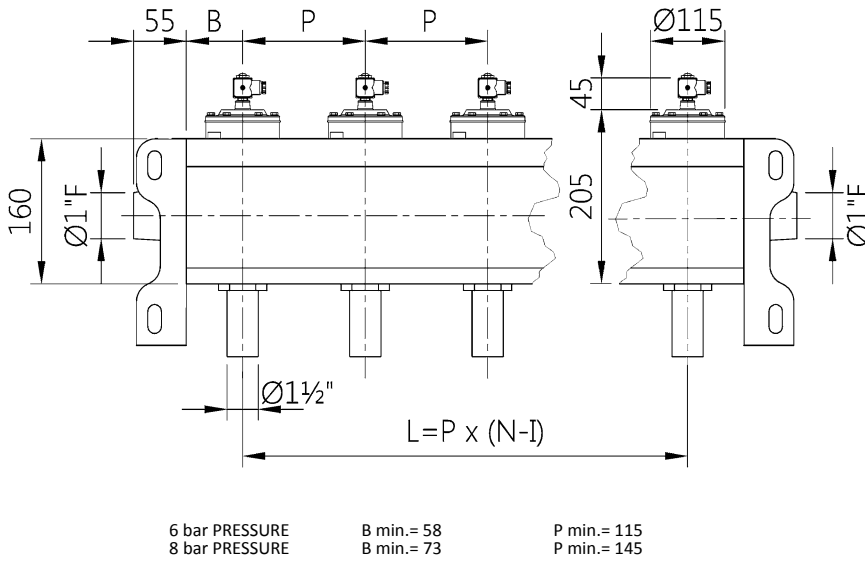


6" ALUTANK SERIES WITH 1½" DN VALVES



TECHNICAL FEATURES

Tank body
Extruded anodised aluminium

Ends
Die-cast aluminium

Air cannons
Galvanised steel

O-Ring
NBR

Operating temperature
-20°C +80°C

Operating pressure
0.5 ÷ 6 bar - 0.5 ÷ 8 bar

Low temperature version
- 40°C +80°C

(Aluminium air cannons)

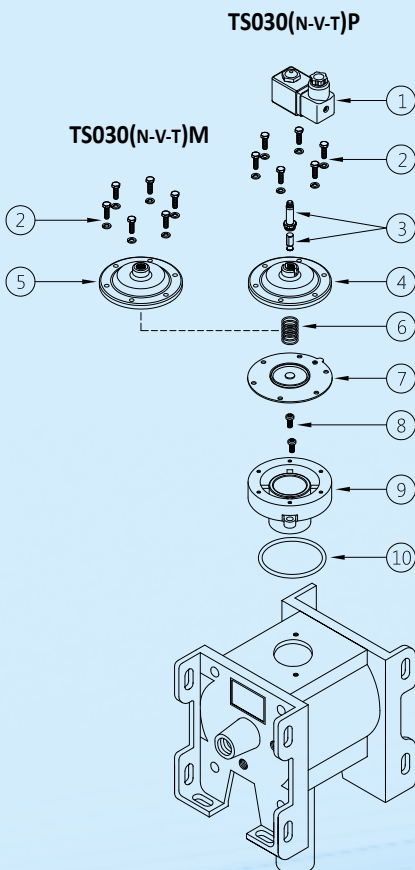
For special versions of P min and B min, please contact our technical department

DESCRIPTION

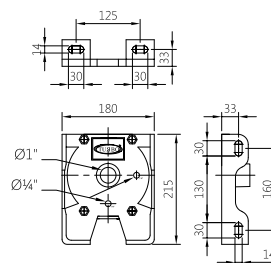
TS030(N-V-T)P / TS030(N-V-T)M

1	Coil - Connector	BH10 V## / V##
2	Screws - Washers	TKITVTE06X20X6
3	Pilot unit	1331080
4	Pilot cover	1251802
5	Remote cover	1251805
6	Diaphragm spring	3241018
7	Diaphragm (N-V-T)	TKISM030N Neoprene TKISM030V Viton TKISM030T Low temperature
8	Screws - Washers	TKITVTE06X20X2
9	Valve body	1251350
10	O-R gasket	3301276

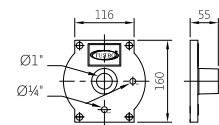
V## / V## = 24 Vdc - 24 Vac - 115 Vac - 230 Vac



DETAIL OF BOTTOM DIMENSIONS AND FIXING



STANDARD



WITHOUT BRACKETS

SHORT PLAIN OUTLET PIPE = G1
LONG PLAIN OUTLET PIPE = G2
LONG THREADED OUTLET PIPE = G3
SHORT THREADED OUTLET PIPE = G4

