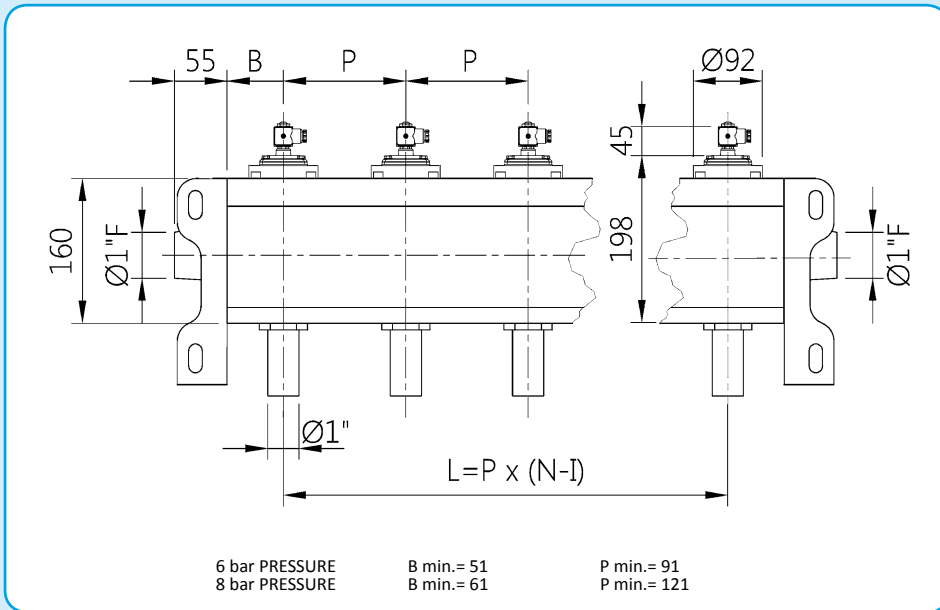


# 6" ALUTANK SERIES WITH 1" DN VALVES



## TECHNICAL FEATURES

Tank body  
Extruded anodised aluminium

Ends  
Die-cast aluminium

Air cannons  
Galvanised steel

O-Ring  
NBR

Operating temperature  
-20°C +80°C

Operating pressure  
0.5 ÷ 6 bar - 0.5 ÷ 8 bar

Low temperature version  
- 40°C +80°C

(Aluminium air cannons)

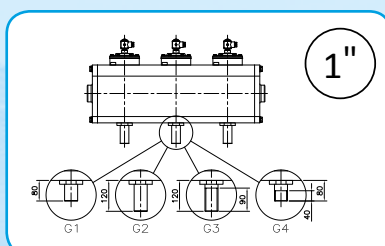
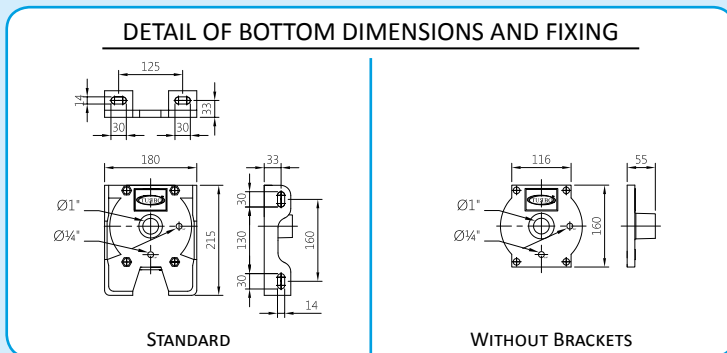
For special versions of P min and B min, please contact our technical department

## DESCRIPTION

## TS025(N-V-T)P / TS025(N-V-T)M

1	Coil - Connector	BH10 V## / V##
2	Screws - Washers	TKITVTE06X20X4
3	Pilot unit	1331080
4	Pilot cover	1251750
5	Remote cover	1251770
6	Diaphragm (N-V-T)	TKISM025N Neoprene TKISM025V Viton TKISM025T Low temperature
6a	Diaphragm spring	3241002
7	Screws - Washers	TKITVTE06X16X4
8	Valve body	1251300
9	O-R gasket	3301285

V## / V## = 24 Vdc - 24 Vac - 115 Vac - 230 Vac



SHORT PLAIN OUTLET PIPE = G1  
LONG PLAIN OUTLET PIPE = G2  
LONG THREADED OUTLET PIPE = G3  
SHORT THREADED OUTLET PIPE = G4

