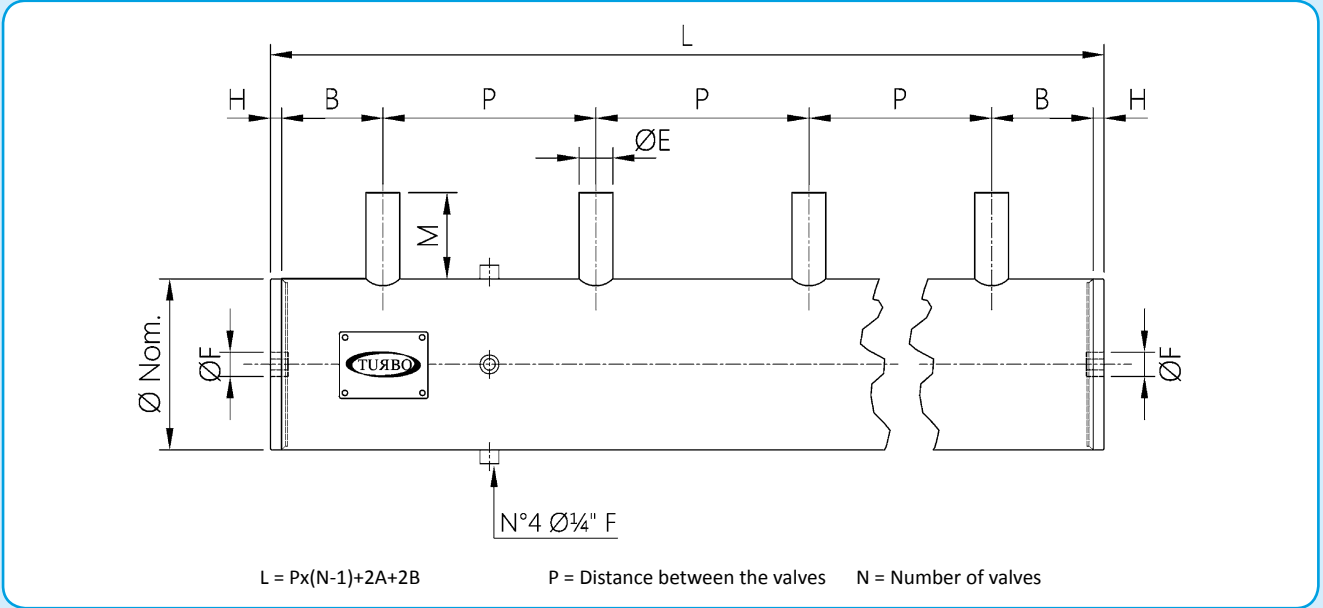
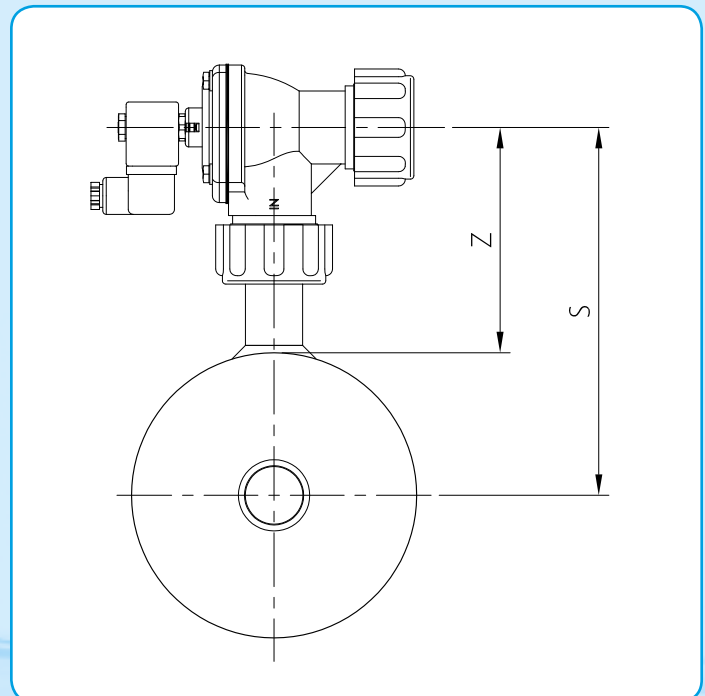
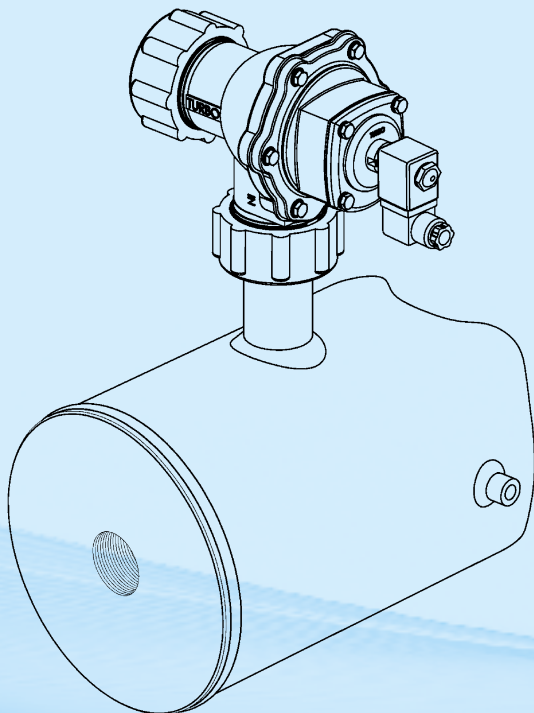


5" - 6" - 8" - 10" DN TD SERIES



For special versions of P min and B min, please contact our technical department

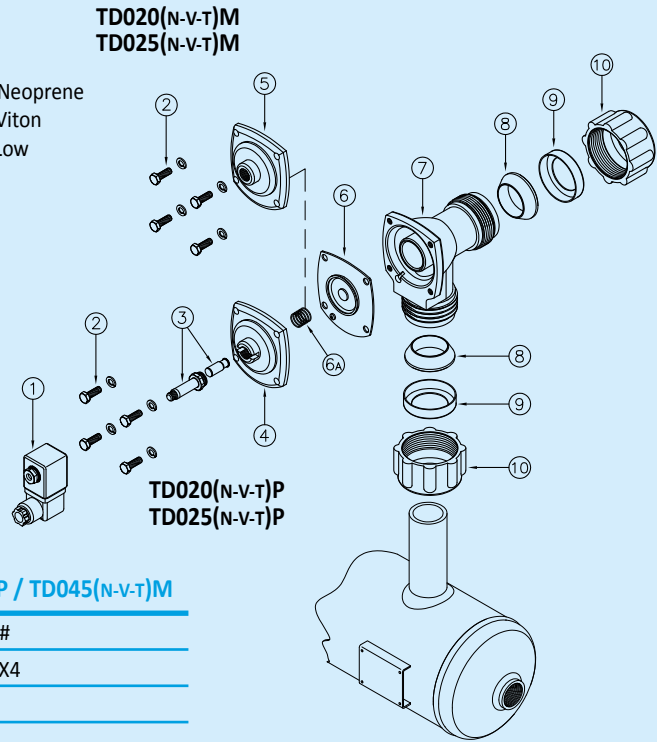
Ø (NOM)	Ø(out) mm	ØE	A	B(min)	ØF	H	M	Z(±)	S(±)	P(min)
5"	141.3	¾"	50	45	1"	10	85	130	200	85
5"	141.3	1"	50	45	1"	10	85	130	200	85
6"	168.3	¾"	50	45	1"	10	85	130	215	85
6"	168.3	1"	50	45	1"	10	85	130	215	85
6"	168.3	1 ½"	50	55	1"	10	85	138	223	150
8"	219.1	1"	70	45	1 ½"	10	85	130	240	85
8"	219.1	1 ½"	70	55	1 ½"	10	85	138	248	150
10"	273	1 ½"	90	55	1 ½"	12	85	138	275	150



5" - 6" - 8" - 10" DN TD SERIES

DESCRIPTION	TD020(N-V-T)P / TD020(N-V-T)M	TD025(N-V-T)P / TD025(N-V-T)M
1 Coil - Connector	BH10 V## / V##	BH10 V## / V##
2 Screws - Washers	TKITVTE06X18X4	TKITVTE06X18X4
3 Pilot unit	1331080	1331080
4 Pilot cover	1251750	1251750
5 Remote cover	1251770	1251770
6 Diaphragm (N-V-T)	TKISM025N Neoprene TKISM025V Viton TKISM025T Low temperature	TKISM025N Neoprene TKISM025V Viton TKISM025T Low temperature
6a Diaphragm spring	3241002	3241002
7 Valve body	1251110	1251310
8 Conical seal	3301010	3301013
9 Retaining ring	1321006	1321010
10 Hose clamp high nut	1281040	1281045

V## / V## = 24 Vdc - 24 Vac - 115 Vac - 230 Vac



DESCRIPTION	TD040(N-V-T)P / TL040(N-V-T)M	TD045(N-V-T)P / TD045(N-V-T)M
1 Coil - Connector	BH10 V## / V##	BH10 V## / V##
2 Screws - Washers	TKITVTE06X20X4	TKITVTE06X18X4
3 Pilot unit	1331080	1331080
4 Pilot cover	1251750	1251715
5 Remote cover	1251770	1251745
6 Secondary diaphragm (N-V-T)	TKISM025N Neoprene TKISM025V Viton TKISM025T Low temperature	TKISM010N Neoprene TKISM010V Viton TKISM010T Low temperature
6a Diaphragm spring	3241002	3241006
7 Screws - Washers	TKITVTE08X20X6	TKITVTE08X20X6
8 Cover	1251620	1251620
9 Diaphragm spring	3241002	3241024
10 Primary Diaphragm (N-V-T)	TKISM040N Neoprene TKISM040V Viton TKISM040T Low temperature	TKISM045N Neoprene TKISM045V Viton TKISM045T Low temperature
11 Valve body	1251440	1251440
12 Conical seal	3301017	3301017
13 Retaining ring	1321012	1321012
14 Hose clamp high nut	1281050	1281050

V## / V## = 24 Vdc - 24 Vac - 115 Vac - 230 Vac

