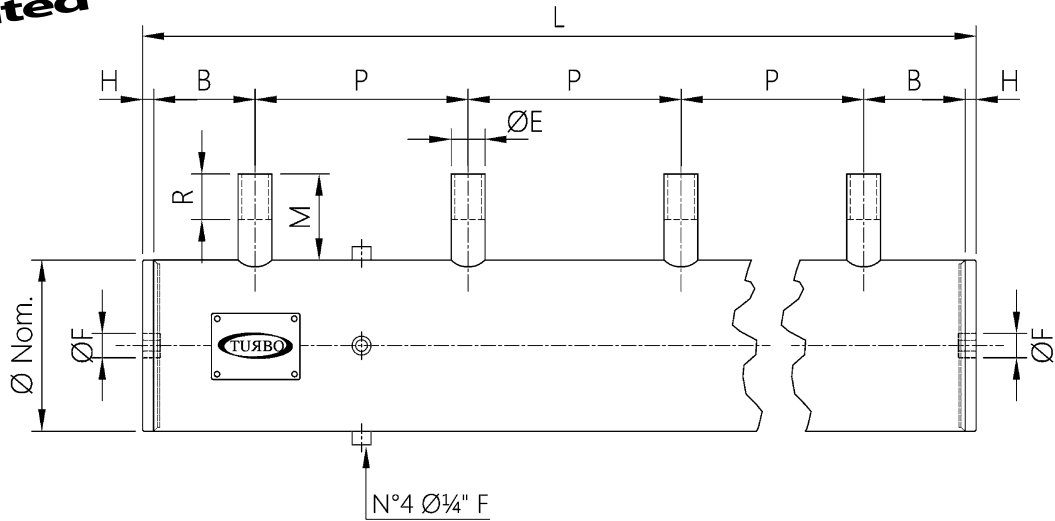


## 6"- 8" TL SERIES

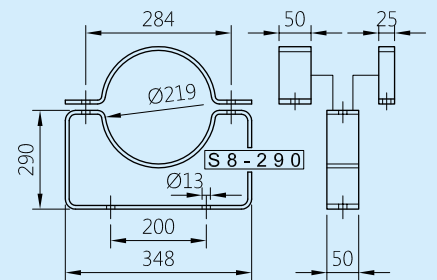
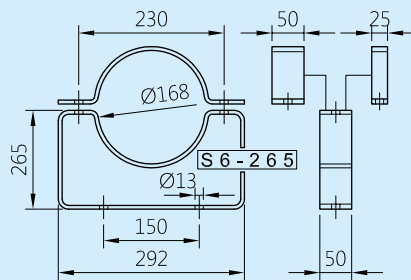
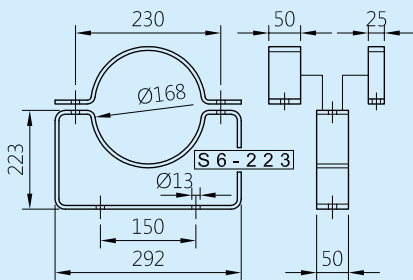


$$L = P \times (N-1) + 2A + 2B$$

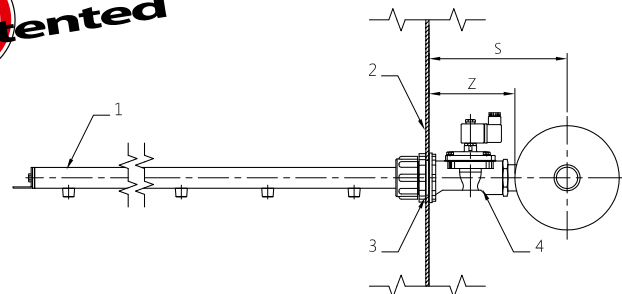
P = Distance between the valves N = Number of valves

For special versions of P min and B min, please contact our technical department

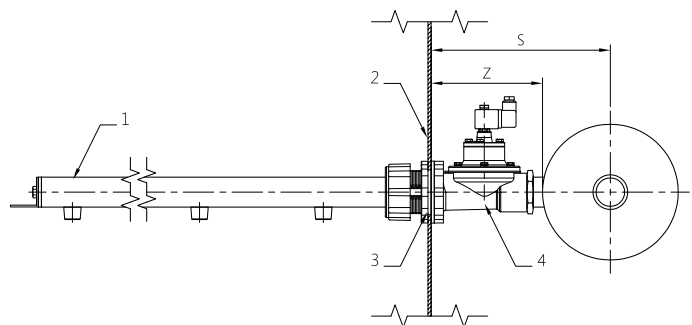
Ø	Ø(out) mm	ØE	A	B(min)	ØF	H	M	R	Z(±)	S(±)	P(min)	Brackets
6"	168.3	1 ¼"	50	50	1"	10	45	30	139	223	85	S6-223
6"	168.3	2"	50	60	1"	10	45	30	180	265	120	S6-265
8"	219.1	2"	70	60	1 ½"	10	45	30	180	290	120	S8-290



1. 1" AIR CANNON
2. FILTER WALL
3. ASSEMBLY HOLE MIN Ø 56 mm
4. 1" STRAIGHT THROUGH VALVE

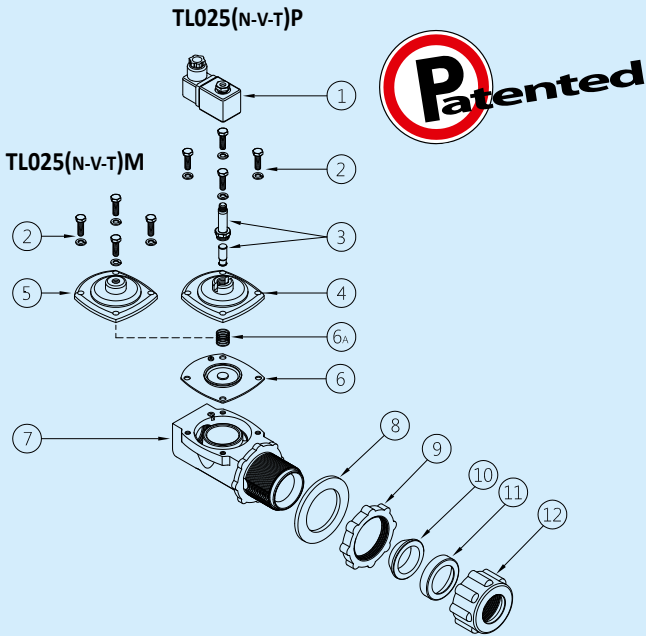


1. 1 ½" AIR CANNON
2. FILTER WALL
3. ASSEMBLY HOLE MIN Ø 72 mm
4. 1 ½" STRAIGHT THROUGH VALVE



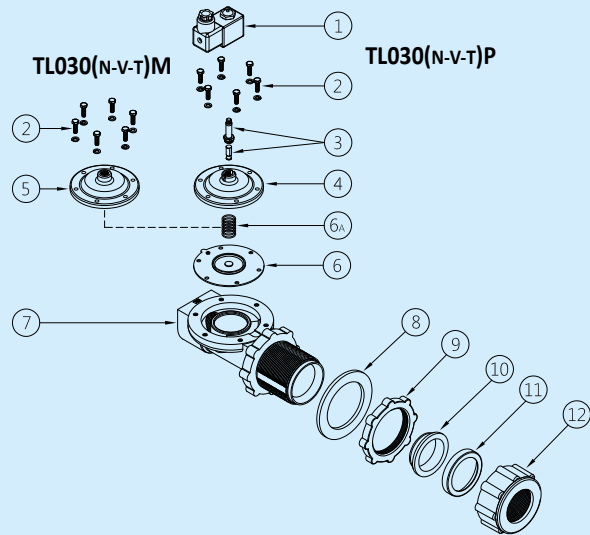
# TL SERIES / PART LIST

HEADER TANKS WITH THREADED STUBS  
FOR STRAIGHT THROUGH VALVES

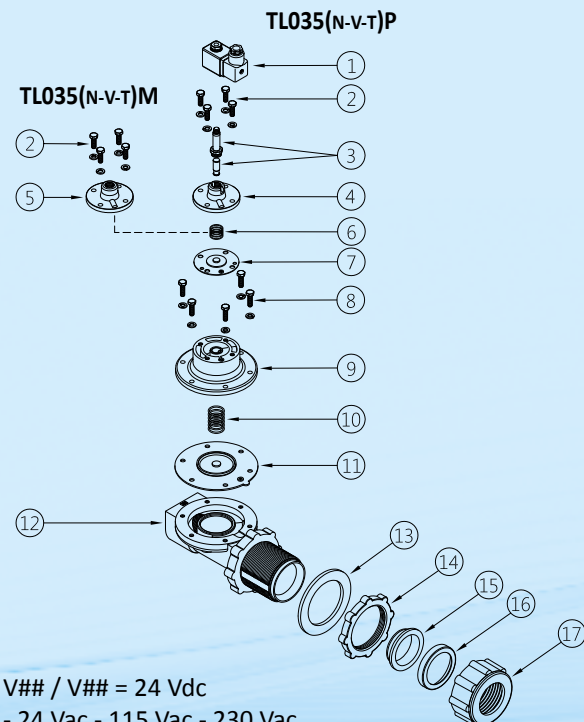


DESCRIPTION	TL025(N-V-T)P / TL025(N-V-T)M
1 Coil - Connector	BH10 V## / V##
2 Screws - Washers	TKITVTE06X20X4
3 Pilot unit	1331080
4 Pilot cover	1251750
5 Remote cover	1251770
6a Diaphragm spring	3241002
6 Diaphragm (N-V-T)	TKISM010N Neoprene TKISM010V Viton TKISM010T Low temperature
7 Valve body	1251250
8 Seal	3141702
9 Lock nut	3181036
10 Conical seal	3301013
11 Retaining ring	1321010
12 Hose Clamp High Nut	1281045

DESCRIPTION	TL030(N-V-T)P / TL030(N-V-T)M
1 Coil - Connector	BH10 V## / V##
2 Screws - Washers	TKITVTE06X20X6
3 Pilot unit	1331080
4 Pilot cover	1251802
5 Remote cover	1251805
6a Diaphragm spring	3241018
6 Diaphragm (N-V-T)	TKISM030N Neoprene TKISM030V Viton TKISM030T Low temperature
7 Valve body	1251330
8 Seal	3141706
9 Lock nut	3181032
10 Conical seal	3301017
11 Retaining ring	1321012
12 Hose Clamp High Nut	1281050



DESCRIPTION	TL035(N-V-T)P / TL035(N-V-T)M
1 Coil - Connector	BH10 V## / V##
2 Screws - Washers	TKITVTE06X18X4
3 Pilot unit	1331080
4 Pilot cover	1251720
5 Remote cover	1251740
6 Diaphragm spring	3241006
7 Secondary diaphragm (N-V-T)	TKISM010N Neoprene TKISM010V Viton TKISM010T Low temperature
8 Screws - Washers	TKITVTE06X20X6
9 Cover	1251810
10 Diaphragm spring	3241018
11 Primary Diaphragm (N-V-T)	TKISM035N Neoprene TKISM035V Viton TKISM035T Low temperature
12 Valve body	1251330
13 Seal	3141706
14 Lock nut	3181032
15 Conical seal	3301017
16 Retaining ring	1321012
17 Hose clamp high nut	1281050



V## / V## = 24 Vdc  
- 24 Vac - 115 Vac - 230 Vac