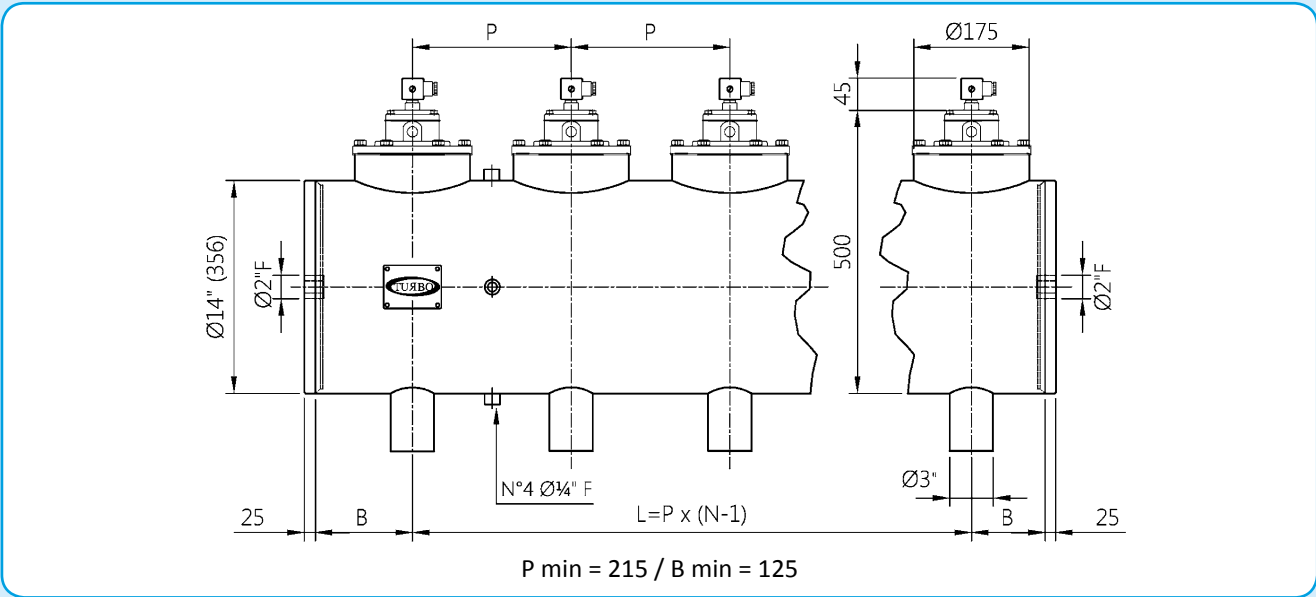
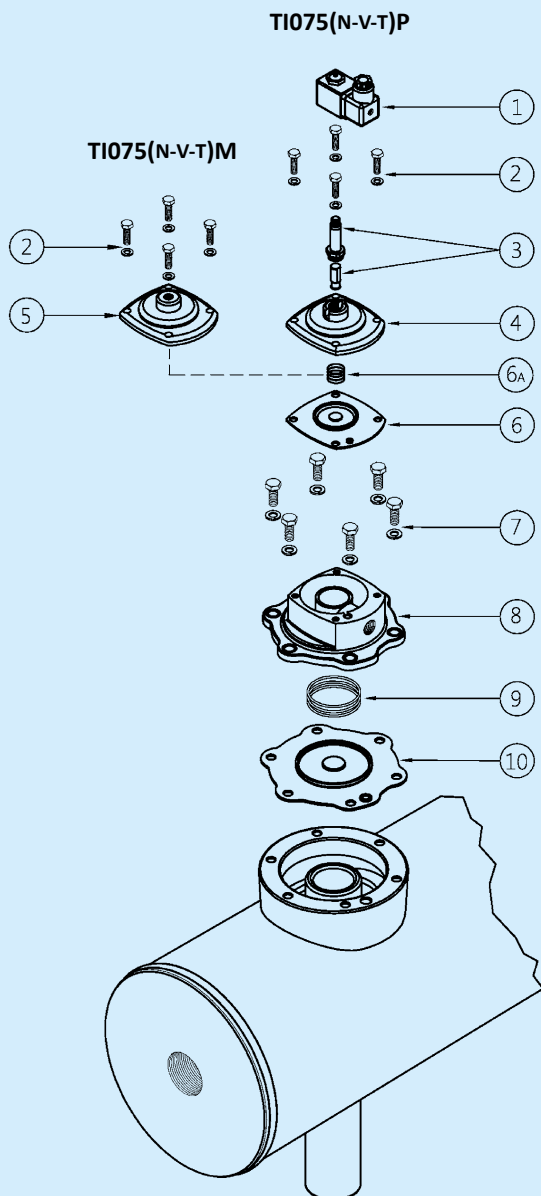


# 14" INTEGRAL SERIES WITH 3" DN VALVES



For special versions of P min and B min, please contact our technical department



DESCRIPTION	TI075(N-V-T)P / TI075(N-V-T)M
-------------	-------------------------------

1	Coil - Connector	BH10 V## / V##
2	Screws - Washers	TKITVTE06X20X4
3	Pilot unit	1331080
4	Pilot cover	1251750
5	Remote cover	1251770
6	Secondary diaphragm (N-V-T)	TKISM025N Neoprene TKISM025V Viton TKISM025T Low temperature
6a	Diaphragm spring	3241002
7	Screws - Washers	TKITVTE10X25X6
8	Cover	1251660
9	Diaphragm spring	3241024
10	Primary Diaphragm (N-V-T)	TKISM075N Neoprene TKISM075V Viton TKISM075T Low temperature

V## / V## = 24 Vdc - 24 Vac - 115 Vac - 230 Vac

