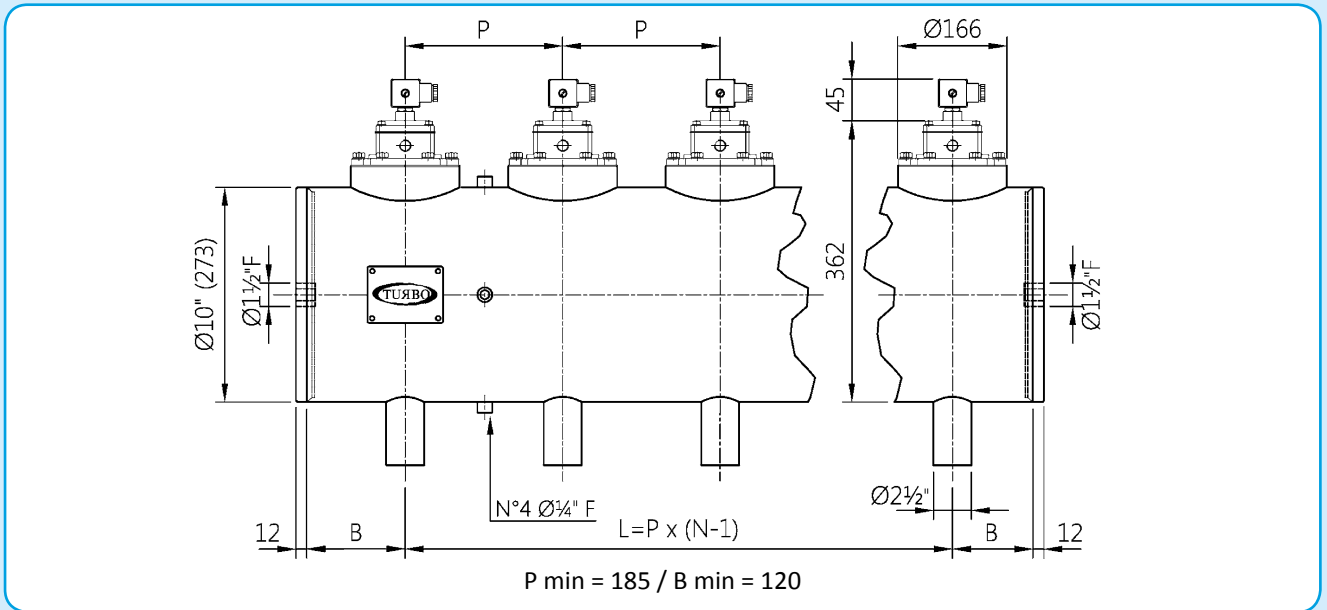


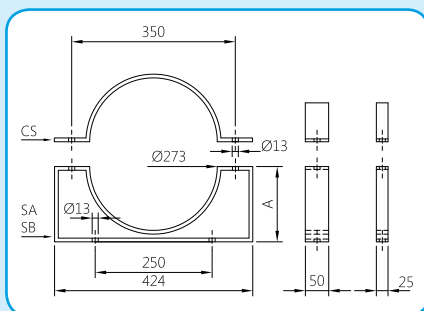
10" INTEGRAL SERIES WITH 2½" DN VALVES



For special versions of P min and B min, please contact our technical department

DESCRIPTION TI060(N-V-T)P / TI060(N-V-T)M

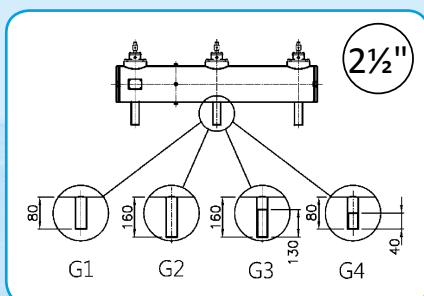
1	Coil - Connector	BH10 V## / V##
2	Screws - Washers	TKITVTE06X20X4
3	Pilot unit	1331080
4	Pilot cover	1251750
5	Remote cover	1251770
6	Secondary diaphragm (N-V-T)	TKISM025N Neoprene TKISM025V Viton TKISM025T Low temperature
6a	Diaphragm spring	3241002
7	Screws - Washers	TKITVTE10X25X6
8	Cover	1251650
9	Diaphragm spring	3241024
10	Primary Diaphragm (N-V-T)	TKISM060N Neoprene TKISM060V Viton TKISM060T Low temperature



V## / V## = 24 Vdc - 24 Vac
- 115 Vac - 230 Vac

BRACKETS

CS = COLLAR
SA = HIGH SUPPORT A = 273
SB = LOW SUPPORT A = 161



SHORT PLAIN OUTLET PIPE = G1
LONG PLAIN OUTLET PIPE = G2
LONG THREADED OUTLET PIPE = G3
SHORT THREADED OUTLET PIPE = G4

