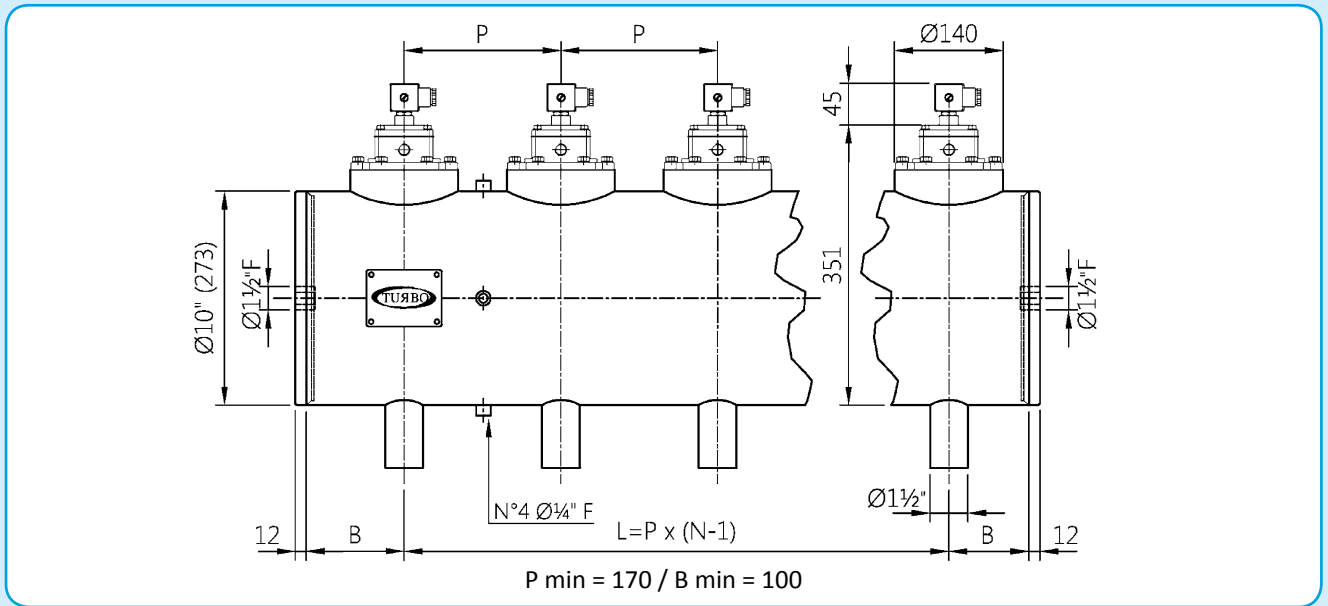


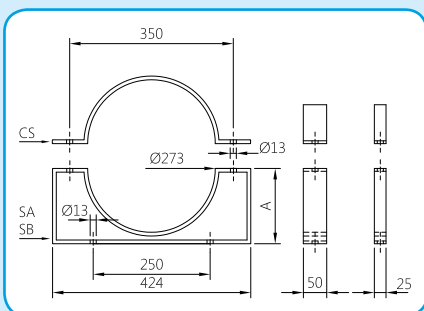
## 10" INTEGRAL SERIES WITH 1½" DN VALVES



For special versions of P min and B min, please contact our technical department

### DESCRIPTION TI040(N-V-T)P / TI040(N-V-T)M

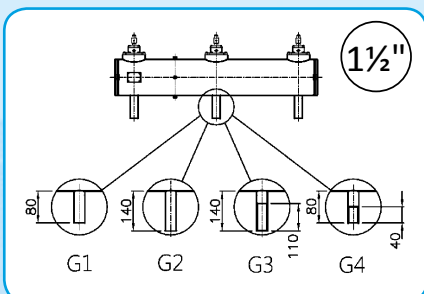
<b>1</b>	Coil - Connector	BH10 V## / V##
<b>2</b>	Screws - Washers	TKITVTE06X20X4
<b>3</b>	Pilot unit	1331080
<b>4</b>	Pilot cover	1251750
<b>5</b>	Remote cover	1251770
<b>6</b>	Secondary diaphragm (N-V-T)	TKISM025N Neoprene TKISM025V Viton TKISM025T Low temperature
<b>6a</b>	Diaphragm spring	3241002
<b>7</b>	Screws - Washers	TKITVTE08X20X6
<b>8</b>	Cover	1251620
<b>9</b>	Diaphragm spring	3241024
<b>10</b>	Primary Diaphragm (N-V-T)	TKISM040N Neoprene TKISM040V Viton TKISM040T Low temperature



V## / V## = 24 Vdc - 24 Vac  
- 115 Vac - 230 Vac

#### BRACKETS

CS = COLLAR  
SA = HIGH SUPPORT      A = 273  
SB = LOW SUPPORT      A = 161



SHORT PLAIN OUTLET PIPE = G1  
LONG PLAIN OUTLET PIPE = G2  
LONG THREADED OUTLET PIPE = G3  
SHORT THREADED OUTLET PIPE = G4

