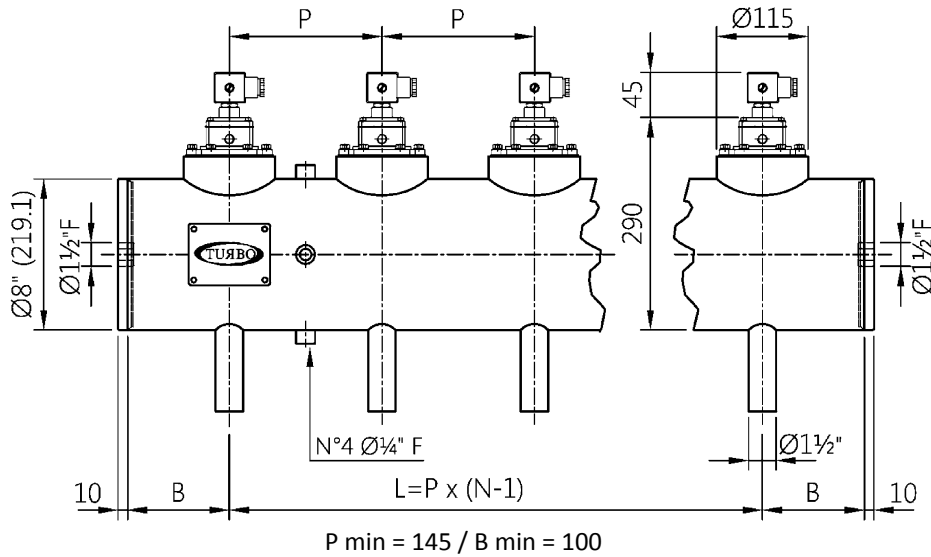


8" INTEGRAL SERIES WITH 1½" DN VALVES



For special versions of P min and B min, please contact our technical department

DESCRIPTION

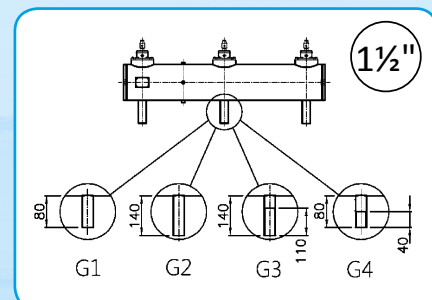
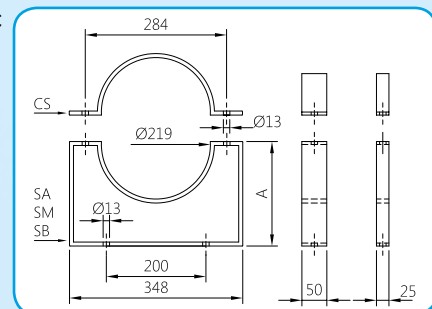
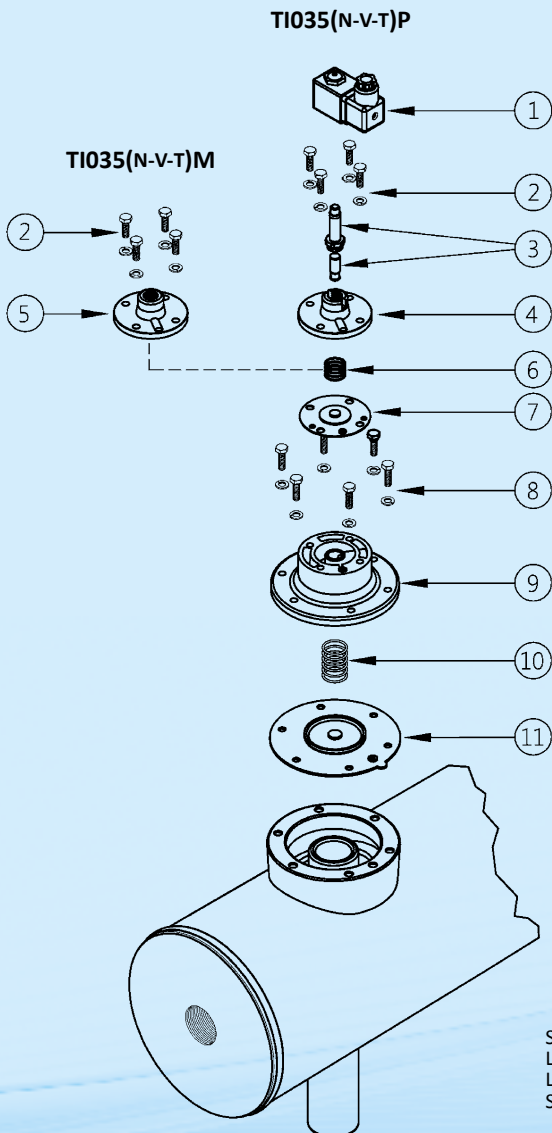
TI035(N-V-T)P / TI035(N-V-T)M

1	Coil - Connector	BH10 V## / V##
2	Screws - Washers	TKITVTE06X18X4
3	Pilot unit	1331080
4	Pilot cover	1251720
5	Remote cover	1251740
6	Diaphragm spring	3241006
7	Secondary Diaphragm (N-V-T)	TKISM010N Neoprene TKISM010V Viton TKISM010T Low temperature
8	Screws - Washers	TKITVTE06X20X6
9	Cover	1251810
10	Diaphragm spring	3241018
11	Primary diaphragm (N-V-T)	TKISM035N Neoprene TKISM035V Viton TKISM035T Low temperature

V## / V## = 24 Vdc - 24 Vac
- 115 Vac - 230 Vac

BRACKETS

CS = COLLAR
SA = HIGH SUPPORT A = 270
SM = MEDIUM SUPPORT A = 210
SB = LOW SUPPORT A = 134



SHORT PLAIN OUTLET PIPE = G1
LONG PLAIN OUTLET PIPE = G2
LONG THREADED OUTLET PIPE = G3
SHORT THREADED OUTLET PIPE = G4