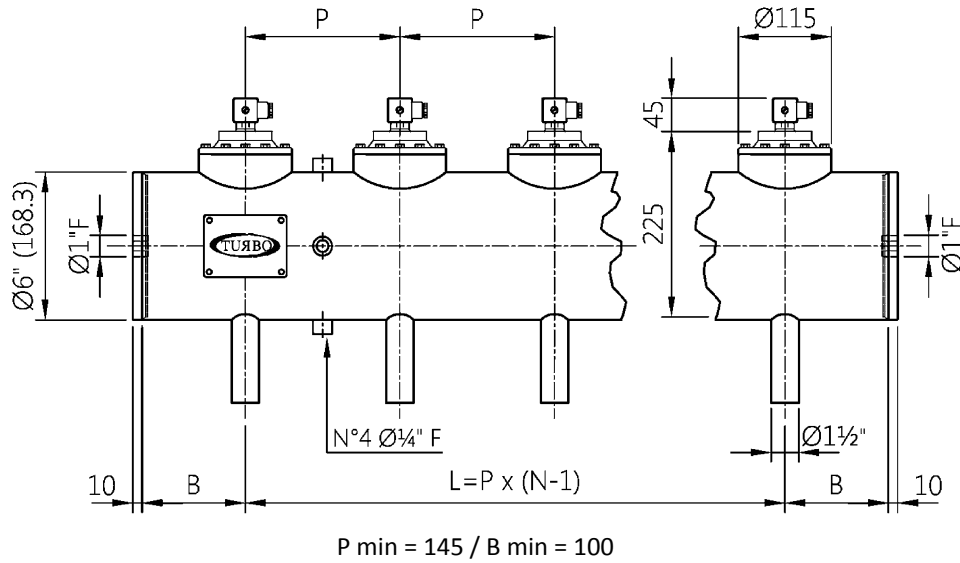


# 6" INTEGRAL SERIES WITH 1½" DN VALVES



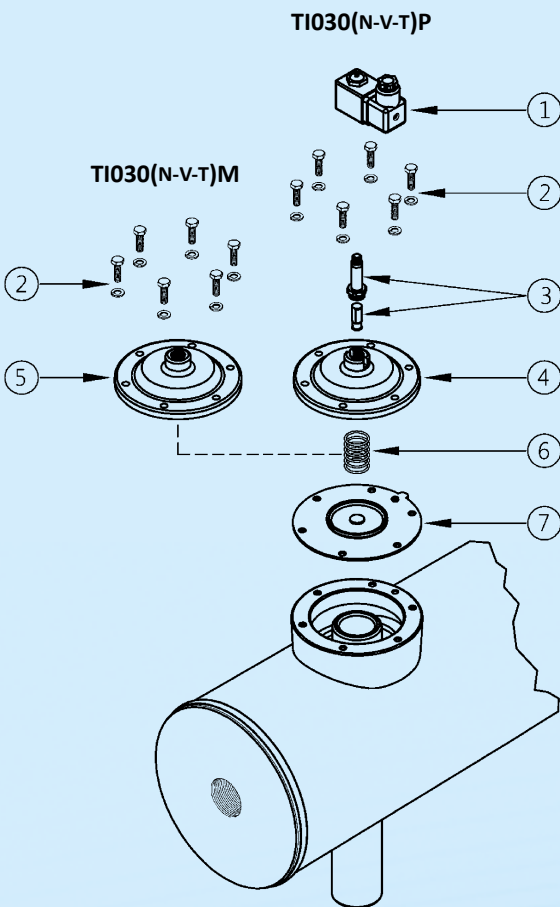
For special versions of P min and B min, please contact our technical department

## DESCRIPTION

## TI030(N-V-T)P / TI030(N-V-T)M

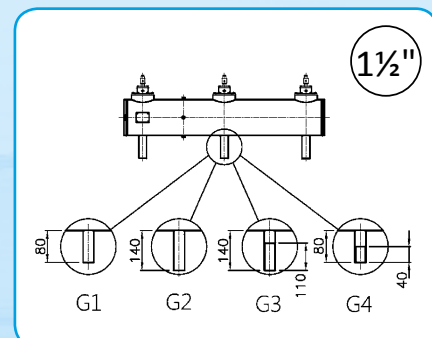
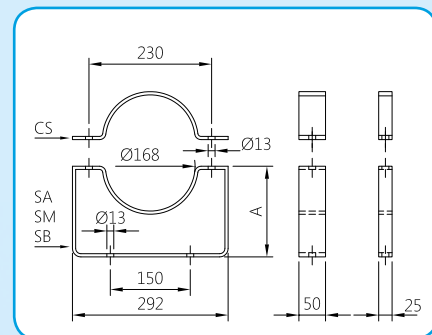
1	Coil - Connector	BH10 V## / V##
2	Screws - Washers	TKITVTE06X20X6
3	Pilot unit	1331080
4	Pilot cover	1251802
5	Remote cover	1251805
6	Diaphragm spring	3241018
7	Diaphragm (N-V-T)	TKISM030N Neoprene TKISM030V Viton TKISM030T Low temperature

V## / V## = 24 Vdc - 24 Vac - 115 Vac - 230 Vac



## BRACKETS

CS = COLLAR  
SA = HIGH SUPPORT A = 200  
SM = MEDIUM SUPPORT A = 170  
SB = LOW SUPPORT A = 109



SHORT PLAIN OUTLET PIPE = G1  
LONG PLAIN OUTLET PIPE = G2  
LONG THREADED OUTLET PIPE = G3  
SHORT THREADED OUTLET PIPE = G4