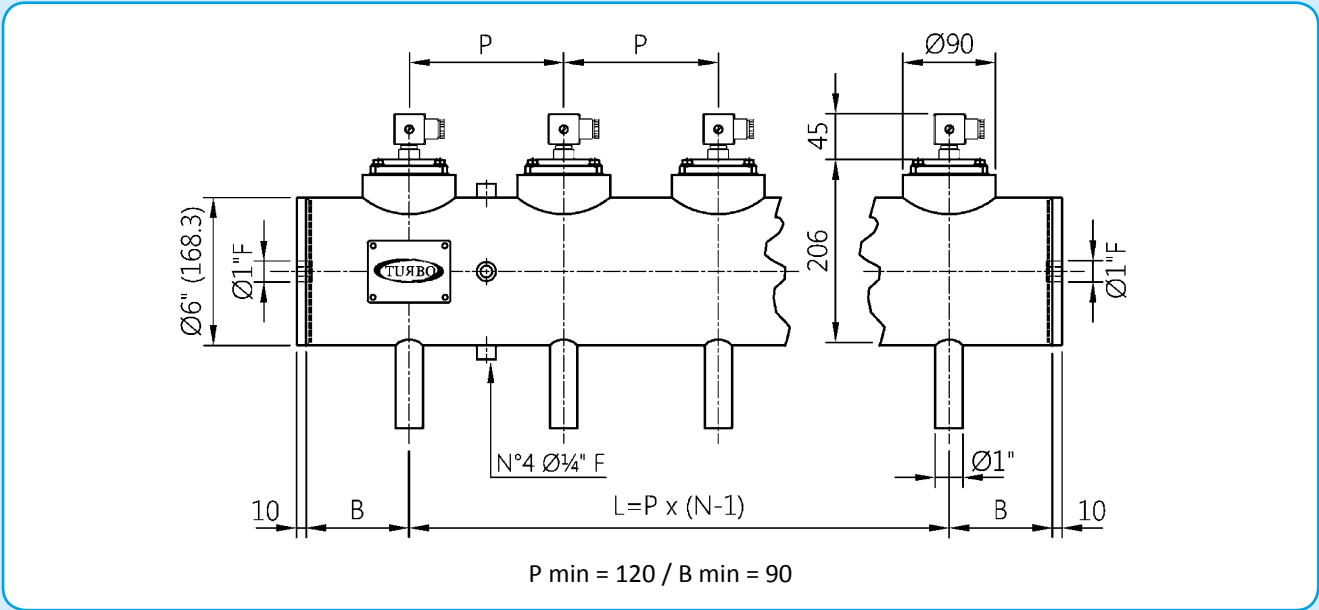


6" INTEGRAL SERIES WITH 1" DN VALVES



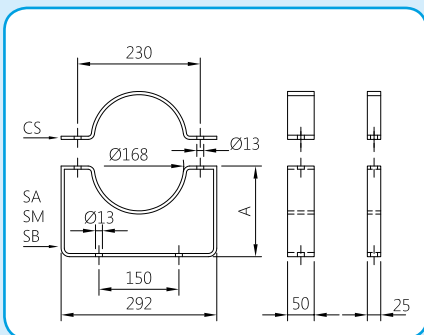
For special versions of P min and B min, please contact our technical department

DESCRIPTION

TI025(N-V-T)P / TI025(N-V-T)M

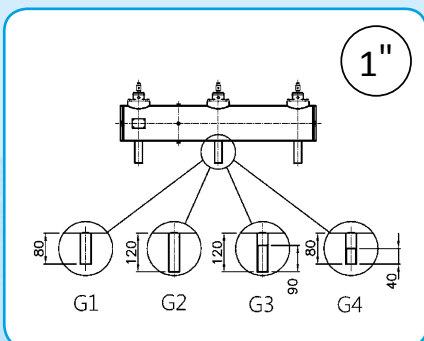
1	Coil - Connector	BH10 V## / V##
2	Screws - Washers	TKITVTE06X18X4
3	Pilot unit	1331080
4	Pilot cover	1251750
5	Remote cover	1251770
6a	Diaphragm spring	3241002
6	Diaphragm (N-V-T)	TKISM025N Neoprene
		TKISM025V Viton
		TKISM025T Low temperature

V## / V## = 24 Vdc - 24 Vac - 115 Vac - 230 Vac



BRACKETS

CS = COLLAR
 SA = HIGH SUPPORT A = 200
 SM = MEDIUM SUPPORT A = 170
 SB = LOW SUPPORT A = 109



SHORT PLAIN OUTLET PIPE = G1
 LONG PLAIN OUTLET PIPE = G2
 LONG THREADED OUTLET PIPE = G3
 SHORT THREADED OUTLET PIPE = G4

